

# **AEROPRAKT SERVICE BULLETIN**

## **№ SB A22LS-21**

### **MODIFICATION OF THE RESCUE SYSTEM ROCKET ATTACHMENT FOR A22LS AIRCRAFT**

#### **Repeating symbols:**

Please, pay attention to the following symbols throughout this document marking important information.

- ▲ **WARNING:** Identifies an instruction, which if not followed may cause serious injury or even death.
- **CAUTION:** Denotes an instruction, which if not followed, may cause severe damage.
- ◆ **NOTE:** Information useful for better handling.

**Release date: 04.01.2021**

**Effective date: 04.01.2021**

**Completion date:**

**Superseded notice: none**

**Model: A22LS**

**Serial number(s) affected: All A22LS aircraft to and including serial No. 378,  
excluding serial No. 82, 180, 329, 330, 338, 342, 343,  
347, 348, 350, 352, 353, 355, 357, 361, 375**

**1) Planning information****1.1) Aircraft affected**

All A22LS aircraft to and including serial No. 378, excluding serial No. 82, 180, 329, 330, 338, 342, 343, 347, 348, 350, 352, 353, 355, 357, 361, 375.

**1.2) Reason**

Meeting the requirements of the rescue system manufacturer.

**▲ Failure to perform this work will result in incorrect functioning of the rescues system in case of its deployment.**

**1.3) Subject**

Additional attachment bracket of the rescue system rocket housing.

**1.4) Compliance**

Compliance with this Service Bulletin is mandatory for all affected aircraft for flight safety reasons!

**1.5) Approval**

The technical content of this Service Bulletin has been approved by Aeroprakt.

**1.6) Manpower**

Estimated work: 2 man-hours.

**1.7) Mass data**

Mass change – insignificant.

**1.8) Revision of other documents**

None.

**1.9) Spare parts**

Additional attachment bracket of the rescue system rocket housing – 1 pc.

Bolt AN174-5A – 1 pc.

Washer NAS1149F0463P – 1 pc.

Nut MS21044N4 – 1 pc.

Pop-rivet 4-8 – 5 pcs.

Pop-rivet 3-8 – 2 pcs.

**2) Spare parts information**

The spare parts kit including bracket, bolts, washers, nuts and rivets is free of charge, less delivery.

### 3) Accomplishment / Instructions

▲ Failure to perform this work will result in injuries for pilots in case of system deployment.

- 3.1) Remove the luggage container before installing the bracket.
- 3.2) Loosen the screw-clamps (1) and rotate the rocket housing (not taking out from the clamps) so, that its attachment plate is behind the housing (Fig 1).

▲ The cable (5) connecting the rocket and the parachute must not be over the rocket (Fig. 1)

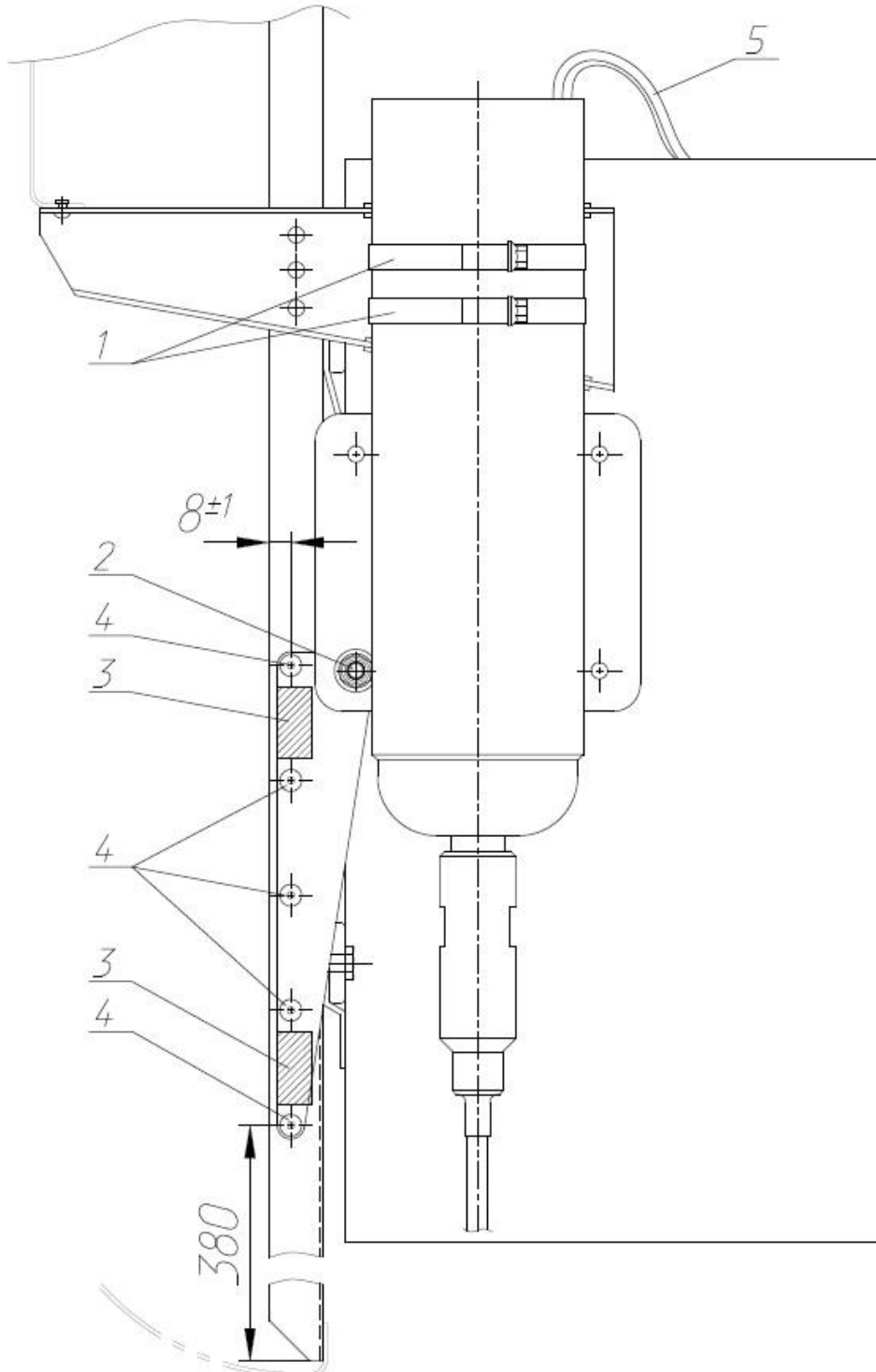
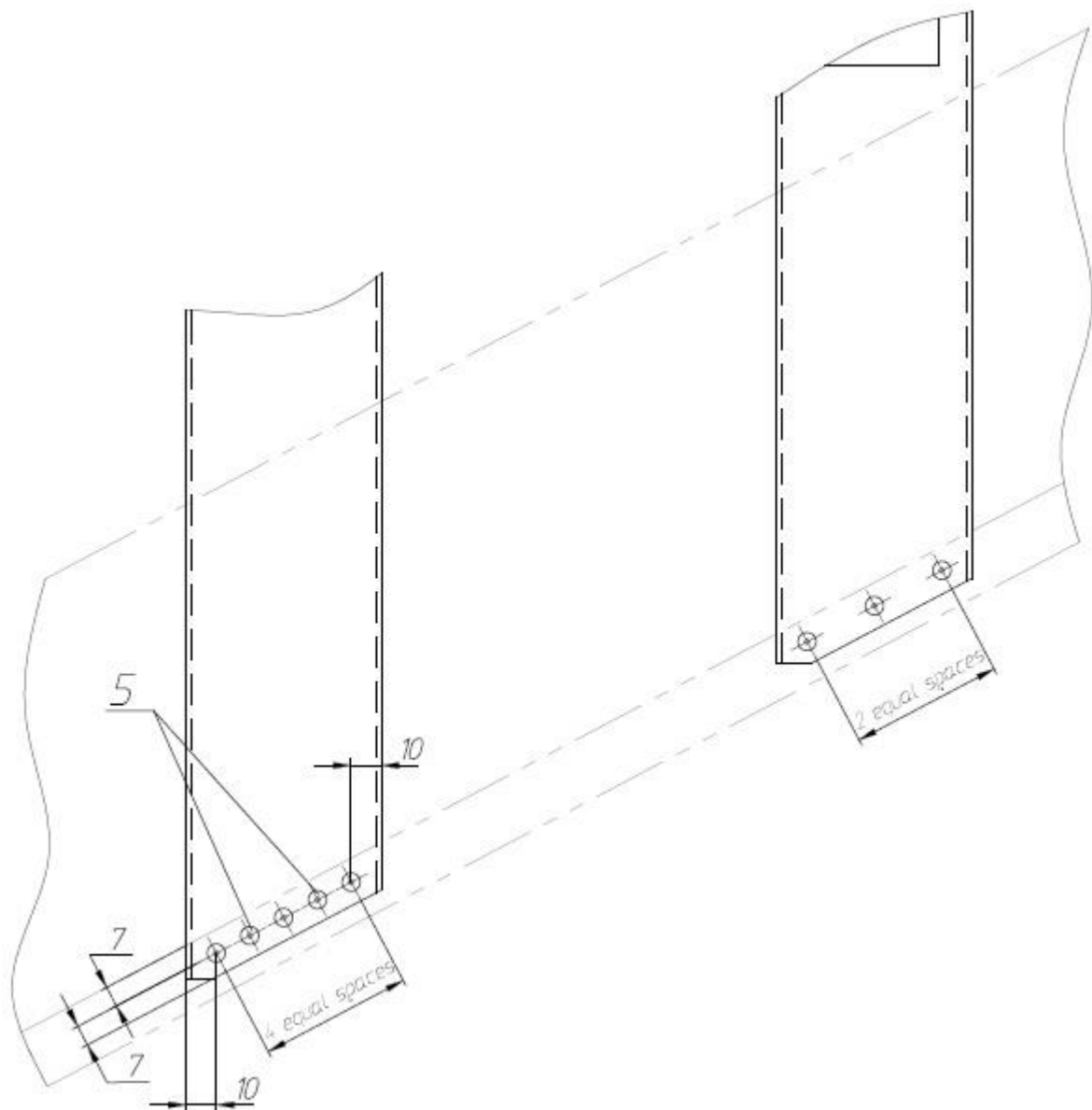


Fig. 1 Front view (opposite to flight direction)

- 3.3) Drill a hole (2, fig.1) with  $\varnothing$  6.4 mm drill bit for AN174-5A bolt.
- 3.4) Attach the bracket to the plate of the rescue system attachment with a bolt and a nut, but do not tighten the nut completely.
- 3.5) Fix (secure) the bracket with clamps to the rescue system post in the hatched areas according to the given dimensions.
- 3.6) Drill holes (4, fig.1) with  $\varnothing$  4.1 mm drill bit and install pop-rivets 4-8.
- 3.7) Remove the clamps.
- 3.8) Tighten the screw-clamps (1 , fig.1) with 2 N·m torque, and tighten the nut (2, fig.1).
- 3.9) Drill holes (5, fig.2) with  $\varnothing$  3.1 mm drill bit and install pop-rivets 3-8.

**Fig. 2**